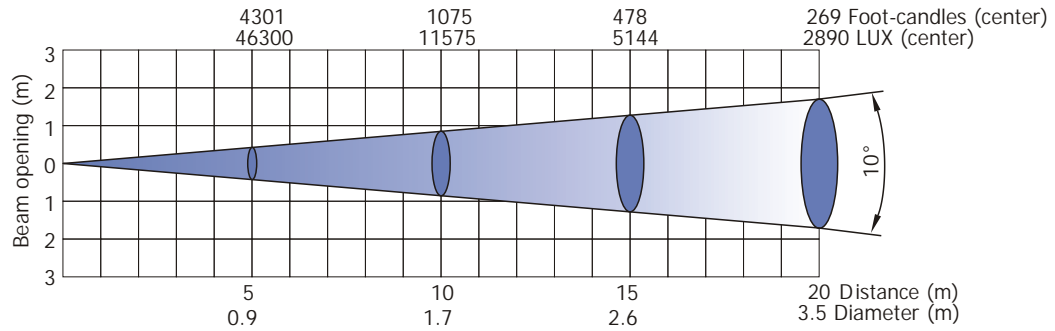


# Robin 600E Spot

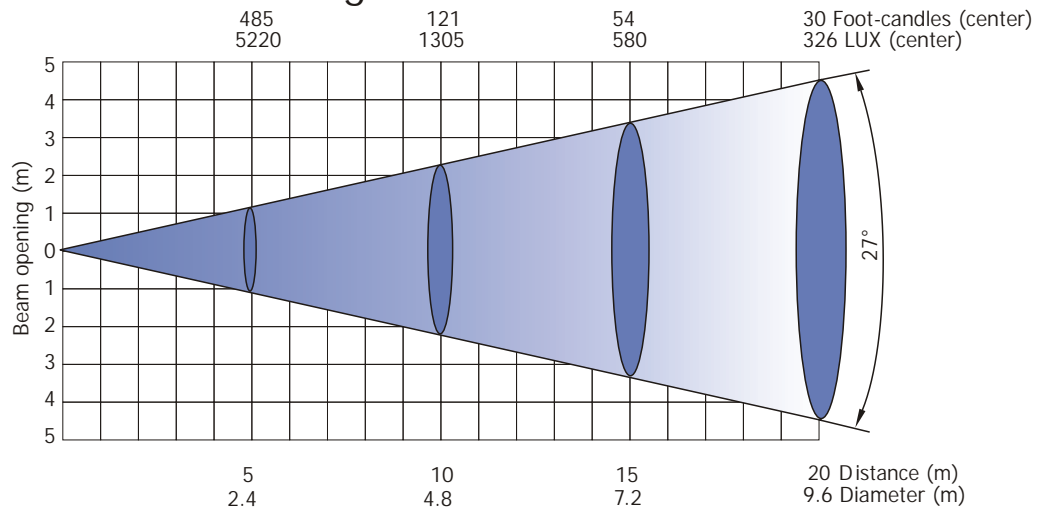
## Photometric Diagrams

Lamp: MSR Gold 575/2 MiniFastFit

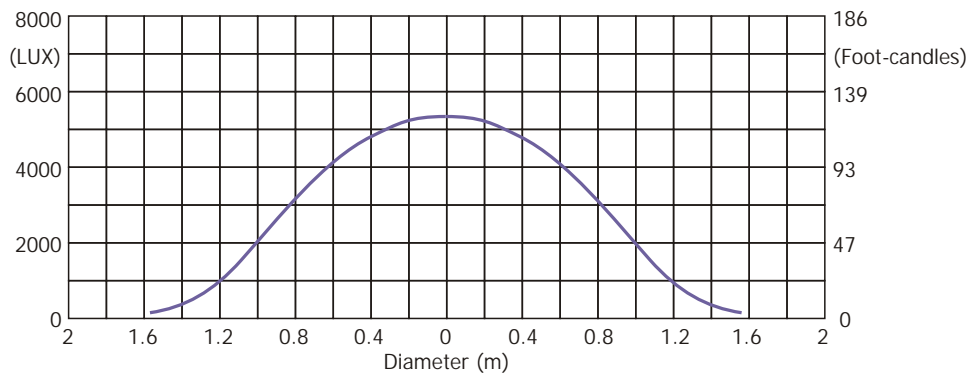
### Beam angle 10° - Min. zoom



### Beam angle 10° with frost



### Beam angle 10° with frost, distance=5m

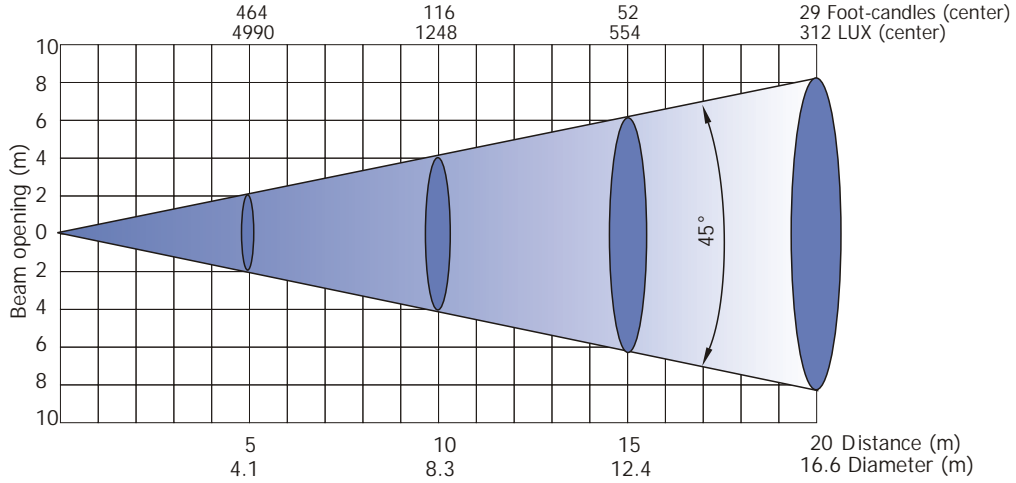


# Robin 600E Spot

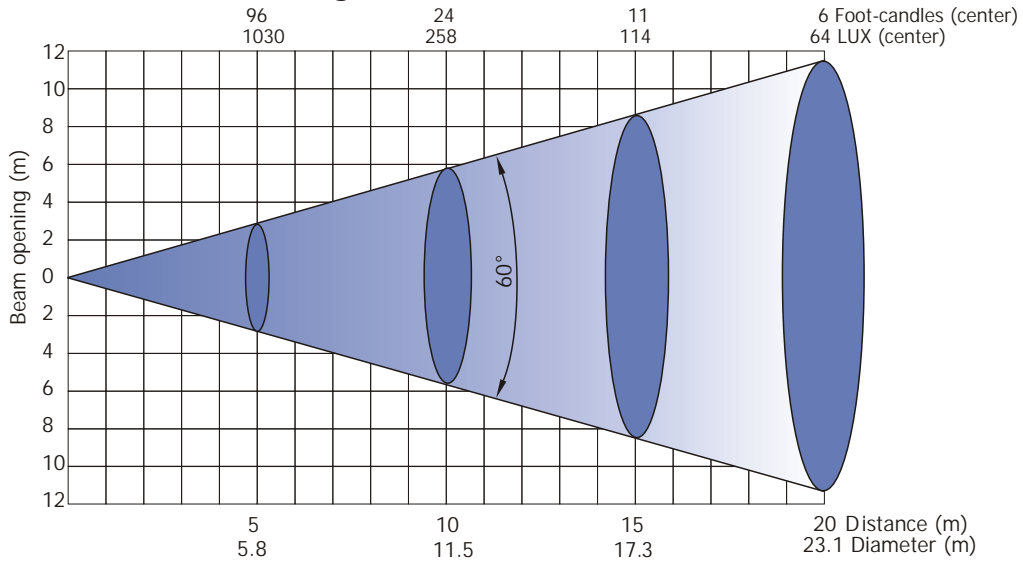
## Photometric Diagrams

Lamp: MSR Gold 575/2 MiniFastFit

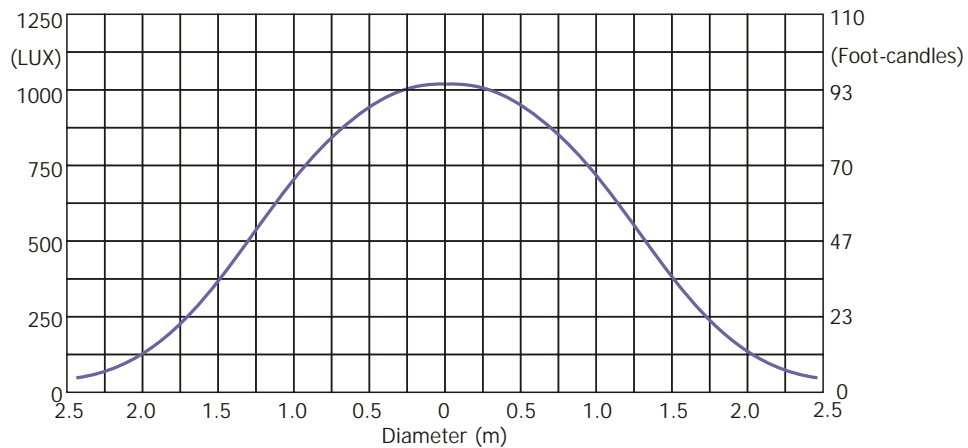
### Beam angle 45° - Max. zoom



### Beam angle 45° with frost



### Beam angle 45° with frost, distance=5m

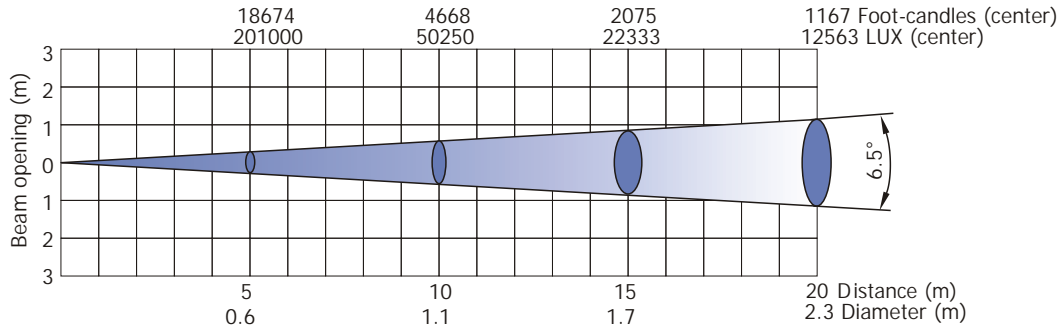


# Robin 600E Beam

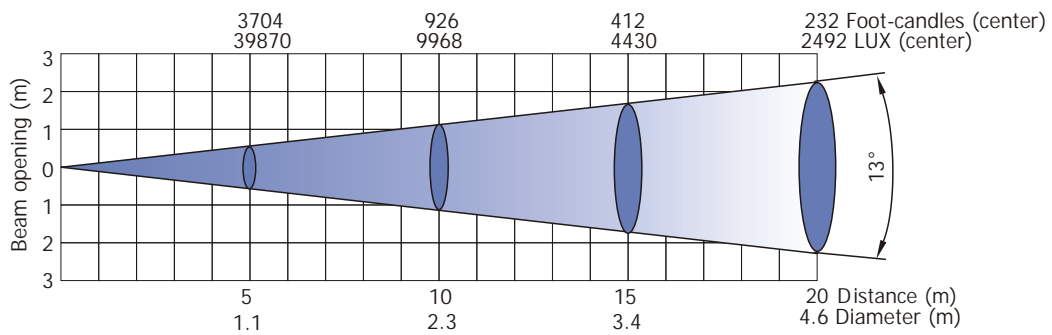
## Photometric Diagrams

Lamp: MSR Gold 575/2 MiniFastFit

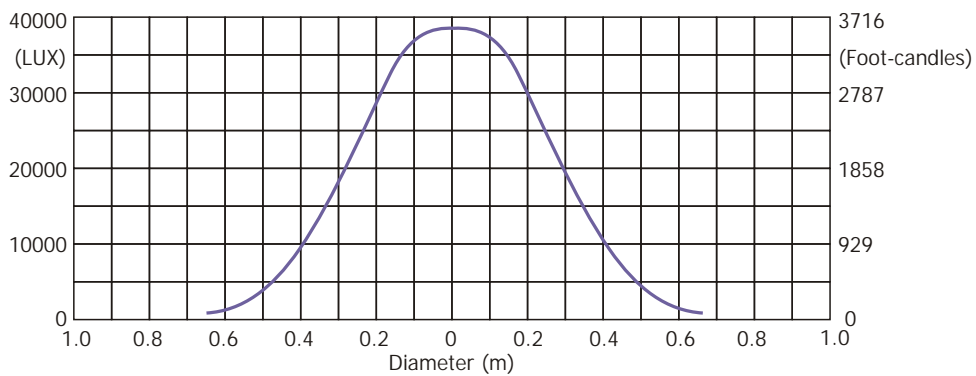
### Beam angle 6.5°



### Beam angle 6.5° with frost



### Beam angle 6.5° with frost, distance=5m



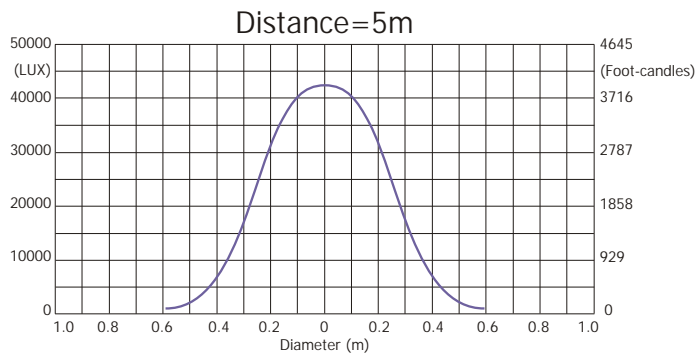
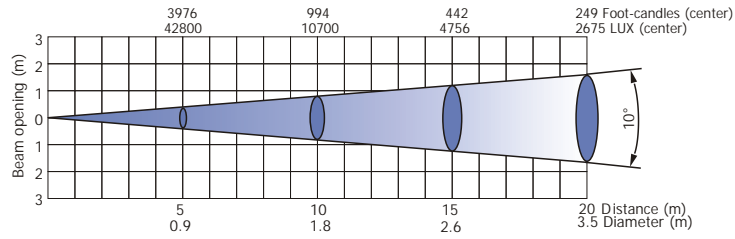
# Robin 600E Wash

## Photometric Diagrams

### FRESNEL LENS

Lamp: MSR Gold 575/2 MiniFastFit

#### FRESNEL LENS Beam angle 10° - Min. zoom



#### FRESNEL LENS Beam angle 35° - Max. Zoom

