

SDI/ASI capture card

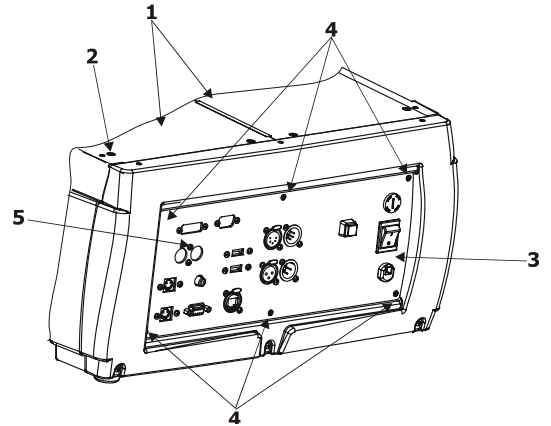
Installation instructions

The SDI/ASI capture card set includes:

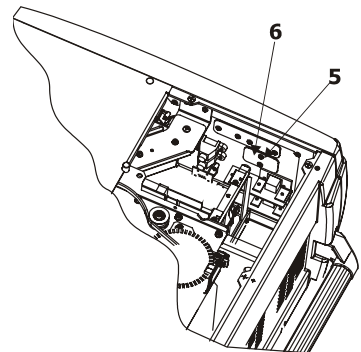
- 1 x capture card DTA-145
- 1 x DVI/VGA connectors holder
- 1 x mounting accessories (screws, washers, nuts)

Here are instructions for installing the SDI/ASI capture card:

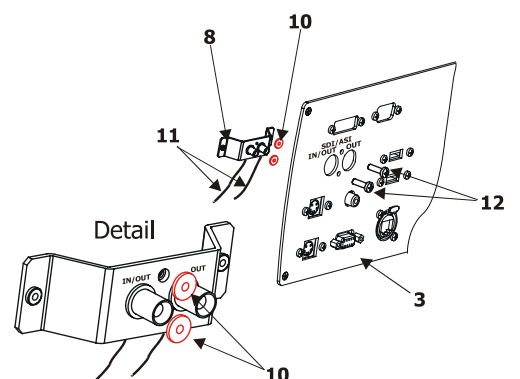
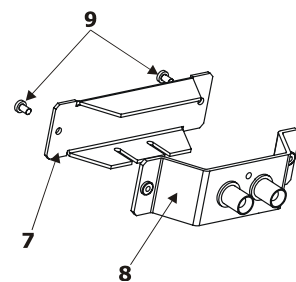
1. Disconnect the fixture from power.
2. Remove both top covers (1) of the fixture base by unscrewing 14 screws (2).
3. Remove the cover plate (6) of an unused slots for SDI/ASI connectors on the rear panel of the fixture by unscrewing the 2 screws (5) M3x6.
4. Unscrew six fastening screws (4) and carefully tilt the rear panel from the chassis.



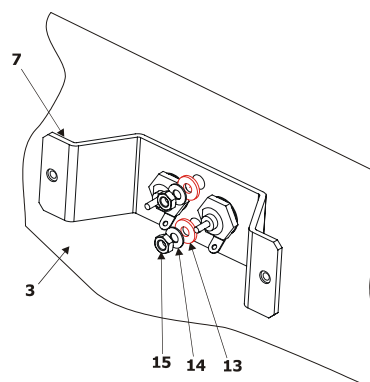
5. Remove the cover (7) of the SDI/ASI connectors holder (8) by unscrewing the two screws M3x6 (9).



6. Snap the two insulating washers with outer diameter of 10mm (10) into SDI/ASI connectors holder (8) and fasten this holder on the rear panel (3) with two screws M3x10 (9). The SDI/ASI cables (11) have to aim at the bottom of the fixture base.

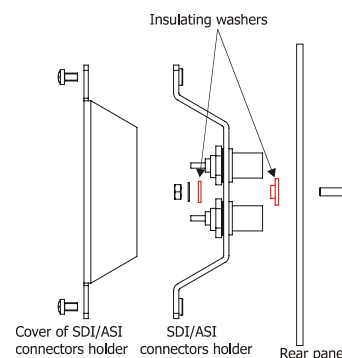


Keep right order of the insulating (13) and metal (14) washers on the screws (9) and tighten the nuts (15).



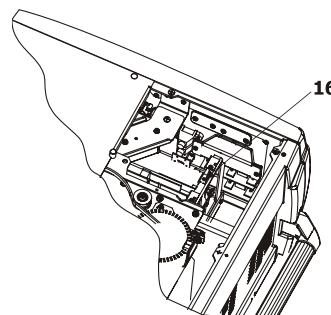
Warning: The SDI/ASI connectors holder has to be electrically insulated from the rear panel otherwise the capture card can be damaged.

Check right placing of the insulating washers.



7. Screw the cover (7) to the SDI/ASI connectors holder (8) with two screws M3x6 (9). Screw the rear panel (3) back to the chassis.

8. Remove the capture card from its packaging and gently press it down into the empty PCI slot. Secure the bracket of the card to the chassis by means of the screw (16) with M3 thread.



9. Connect the SDI/ASI cables to the capture card. The IN/OUT cable has a blue sleeve at BNC connector and the OUT cable has a red one.
BNC sockets on the capture card are marked $\text{---} \text{---} \text{---} \rightarrow$ (OUT) and $\text{---} \leftarrow \text{---} \text{---}$ (IN/OUT).
10. Place both top covers of the fixture base back and fasten them by 14 screws.
11. After switching the fixture on, the capture card should be ready for operation.