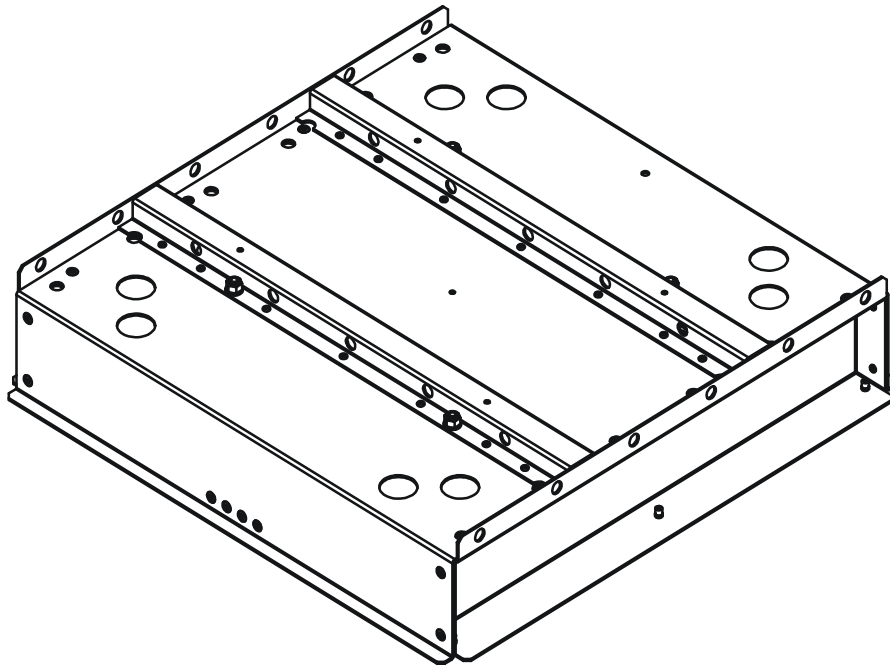


Ceiling box

Assembly instructions



1. Included items

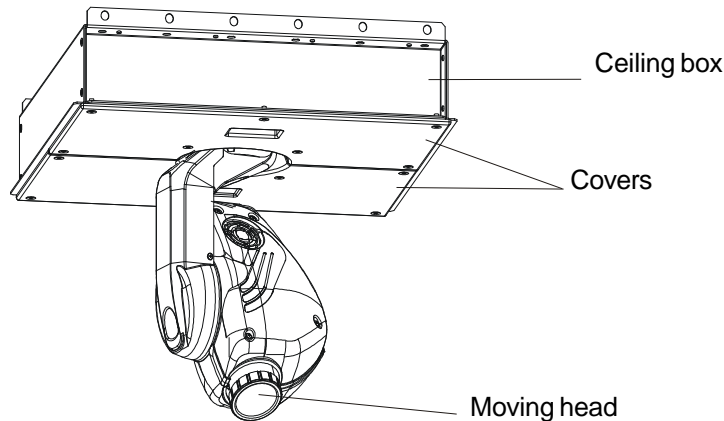
1. Ceiling box.....1 piece
2. Box covers2 pieces
3. Cover screws...14 pieces
4. Assembly instructions...1 piece

2. Using

The ceiling box is designed for building into the lower ceiling and serves as a mounting base of the recessed moving head.

The recessed moving head consists of the moving head, ceiling box and 2 covers.

Example:



2. Safety instructions

The installation of the moving head has to be built and constructed in a way that it can hold 10 times the weight for 1 hour without any harming deformation.

DANGER TO LIFE!
Please consider the respective national norms during the installation! The installation must only be carried out by an authorized dealer!

When rigging, derigging or servicing the fixture staying in the area below the installation place, under high working places and other endangered areas is forbidden.

The operator has to make sure that safety-relating and machine-technical installations are approved by an expert before taking into operation for the first time and after changes before taking into operation another time.

The operator has to make sure that safety relating and machine-technical installations are approved by a skilled person once a year.

The moving head should be installed outside areas where persons may walk by or be seated.

IMPORTANT! OVERHEAD RIGGING REQUIRES EXTENSIVE EXPERIENCE, including calculating working load limits, installation material being used, and periodic safety inspection of all installation material and the projector. If you lack these qualifications, do not attempt the installation yourself. Improper installation can result in bodily injury and (or) damage to property.

The moving head has to be installed out of the reach of people.

Caution: Moving heads may cause severe injuries when crashing down! If you have doubts concerning the safety of a possible installation, do NOT install the moving head!

Before rigging make sure that the installation area can hold a minimum point load of 10 times the moving head's weight.

Danger of fire !
When installing the fixture, make sure there is no highly inflammable material (decoration articles, etc.) in between a distance of min. 0,5 m.

CAUTION!
Make sure that the ceiling box is fixed properly! Ensure that the structure (grid) to which you are attaching the ceiling box is secure.

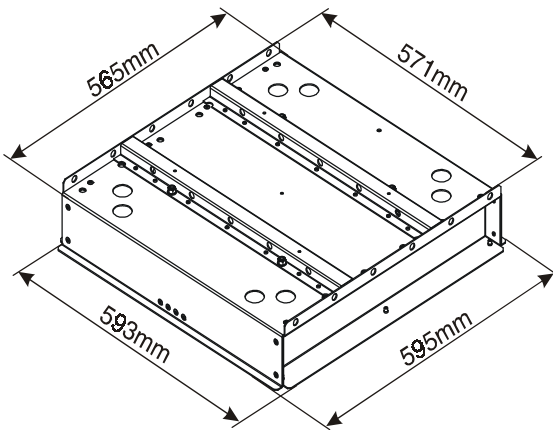
3. Assembly

Ceiling box sets are produced in 3 versions:

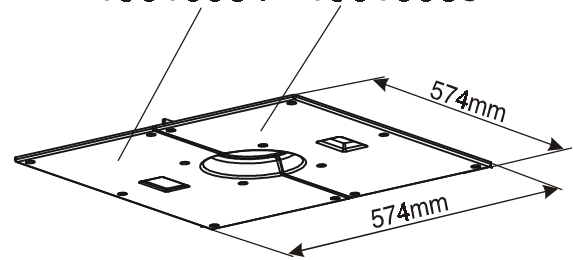
1. Version for mounting grid 600x 600mm – No. 101 0001
2. Version for mounting grid 625x 625mm – No. 101 0006
3. Version for ceiling from plaster-boards – No. 101 0007

Version for 600x600mm mounting grid

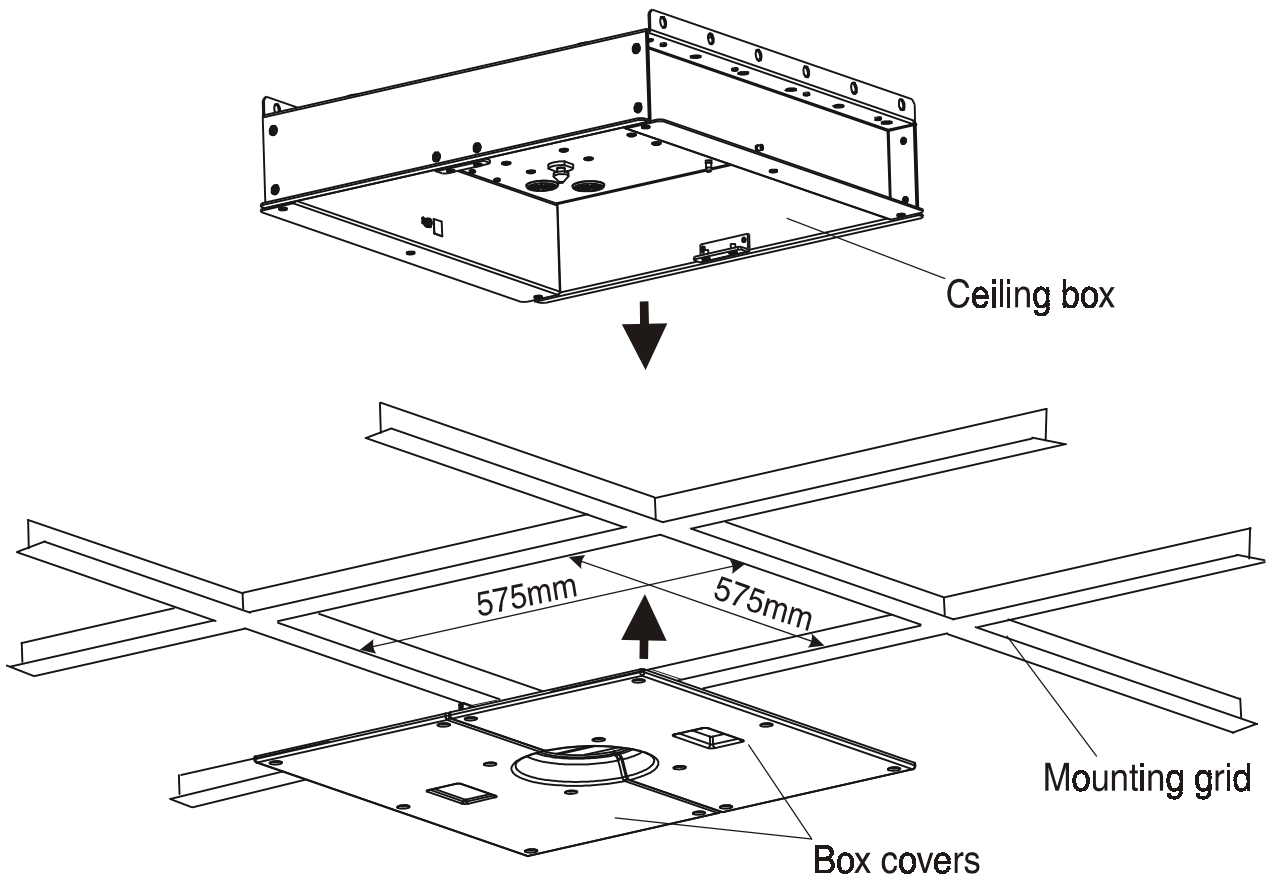
Ceiling box
99010551



Box covers
19010084 19010083

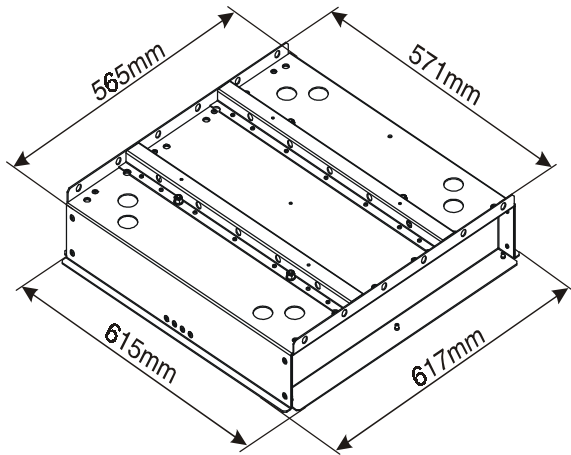


Installation

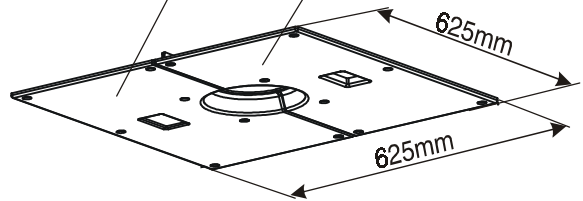


Version for 625x625mm mounting grid

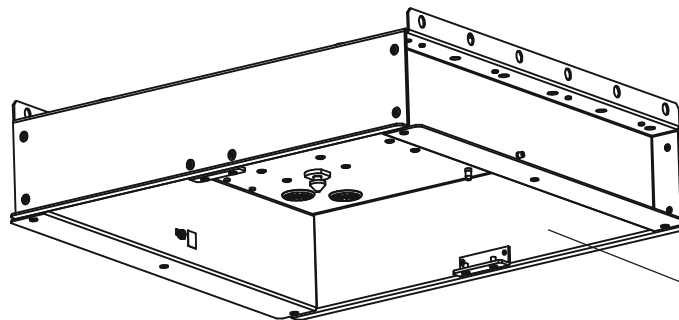
Ceiling box
99010691



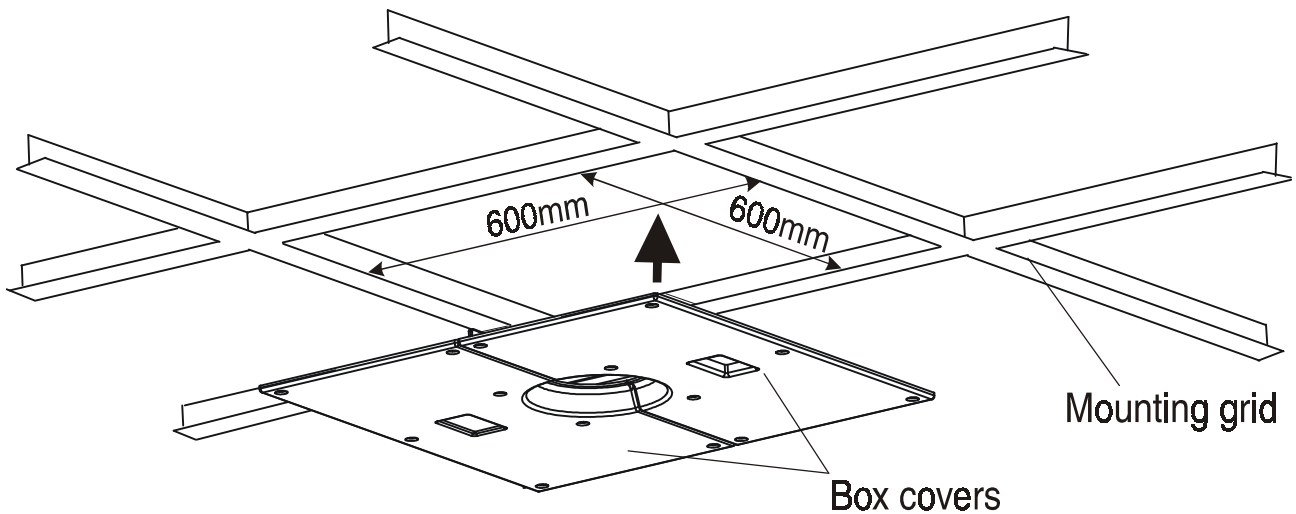
Box covers
19010112 19010111



Installation



Ceiling box

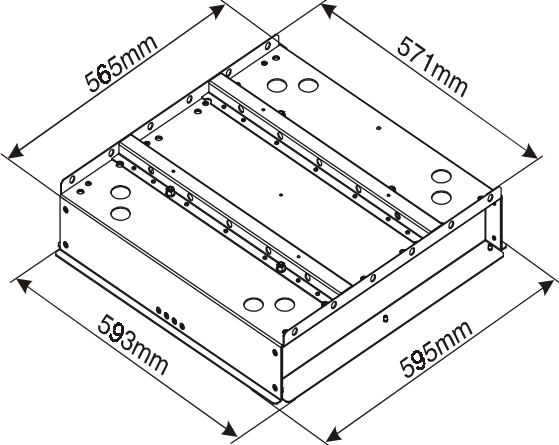


Mounting grid

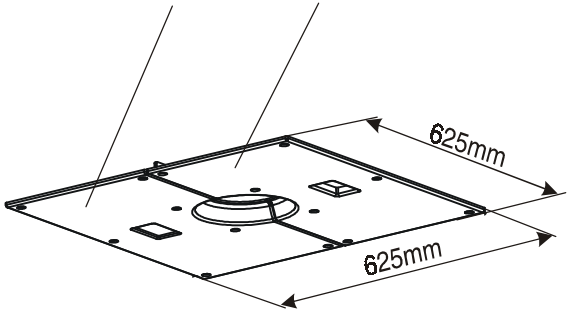
Box covers

Version for lower ceiling from plaster-boards

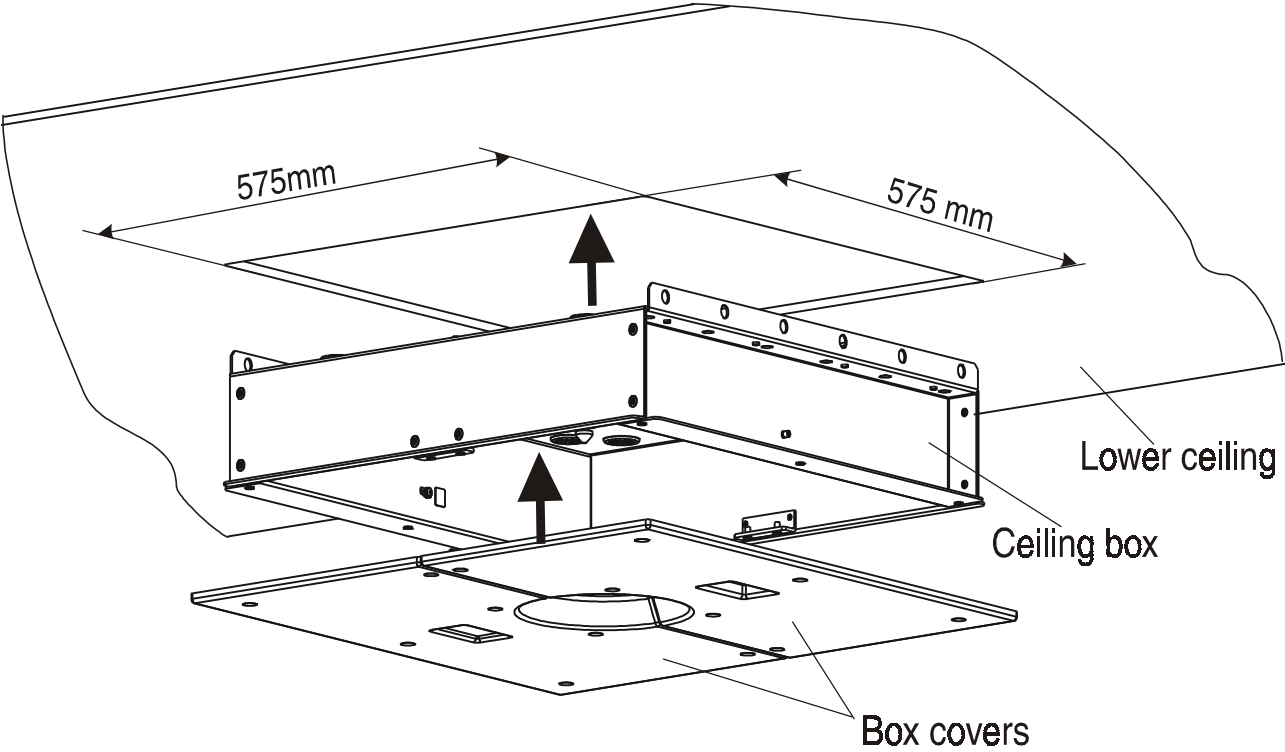
Ceiling box
99010551



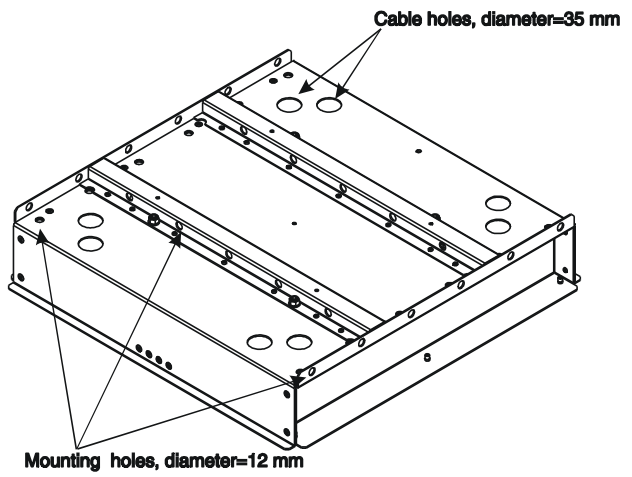
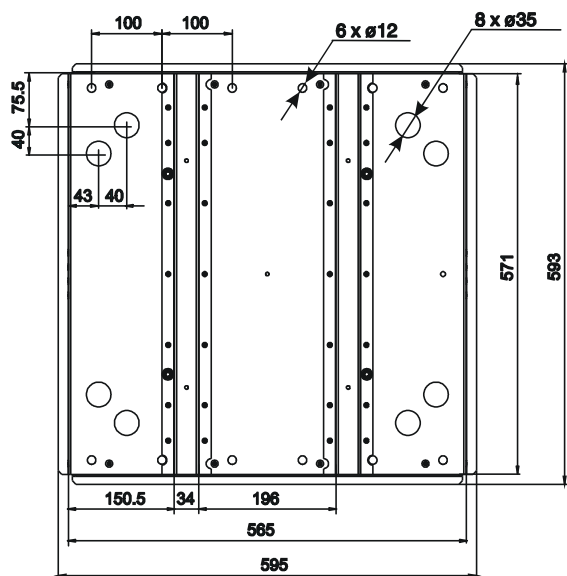
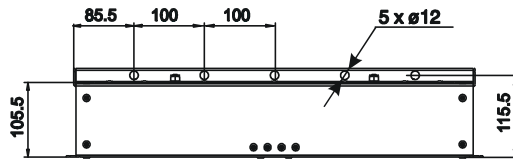
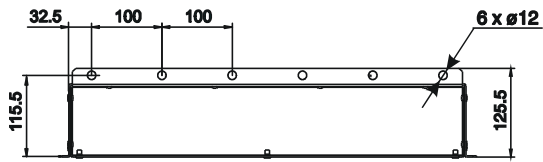
Box covers
19010114 19010113



Installation



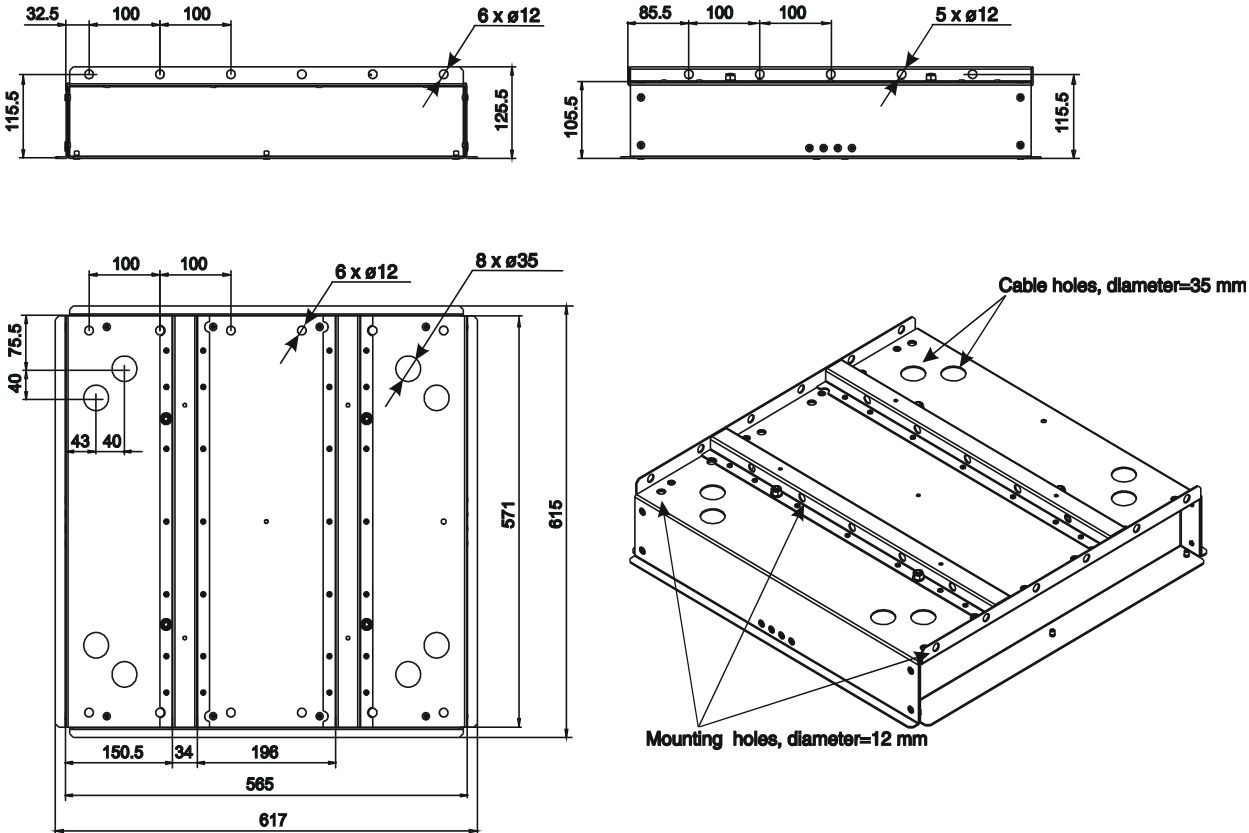
Ceiling box No.99010551



All dimensions are in mm

Weight:7kg

Ceiling box No.99010691



All dimensions are in mm

Weight:7kg