

SECTION A-A

Unprescribed shape and dimensions acc. to 3D in tol. +-0,05.General tolerances acc. to ISO 2768mK.The external shape without overflows.

Must be in accordance with directive 2002/95/EC (RoHS)

The drawing is the property of ROBE lighting s r.o., Czech Republic and must not be transferred, lent or reproduced without an explicit written permission from the company.

Device name: **Robin Spiider** Drawn: **Ing. Rostislav HÁBA** **ROBE**

Revision Nr.	01	*	*	06	*	*
	02	*	*	07	*	*
Date	03	*	*	08	*	*
	04	*	*	09	*	*
	05	*	*	10	*	*

Note: *

Weight: Error: No reference
Surface: Error: No reference
Volume: Error: No reference

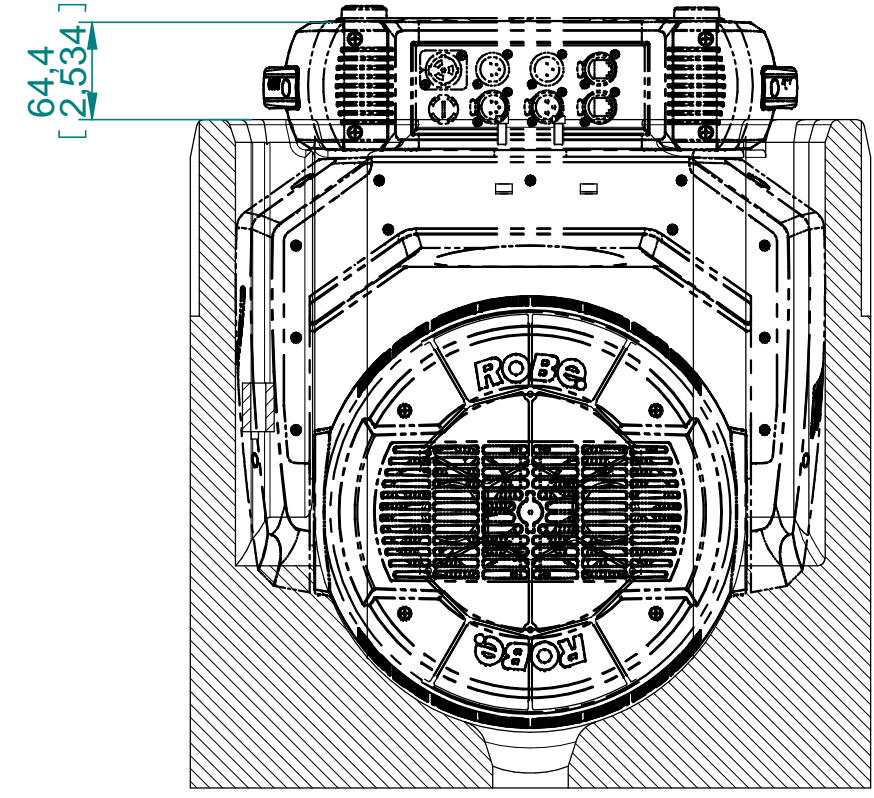
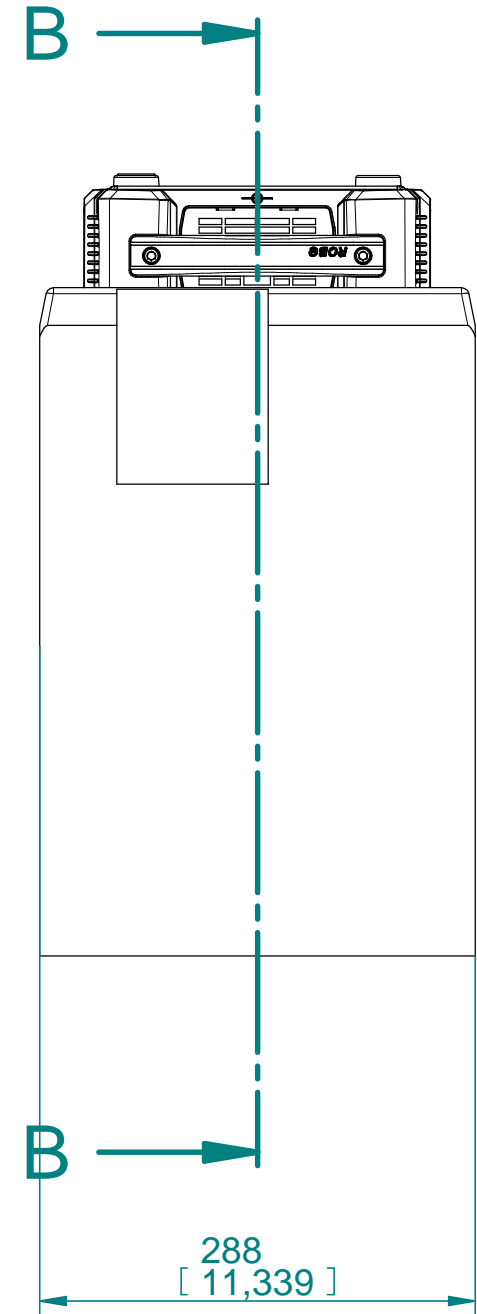
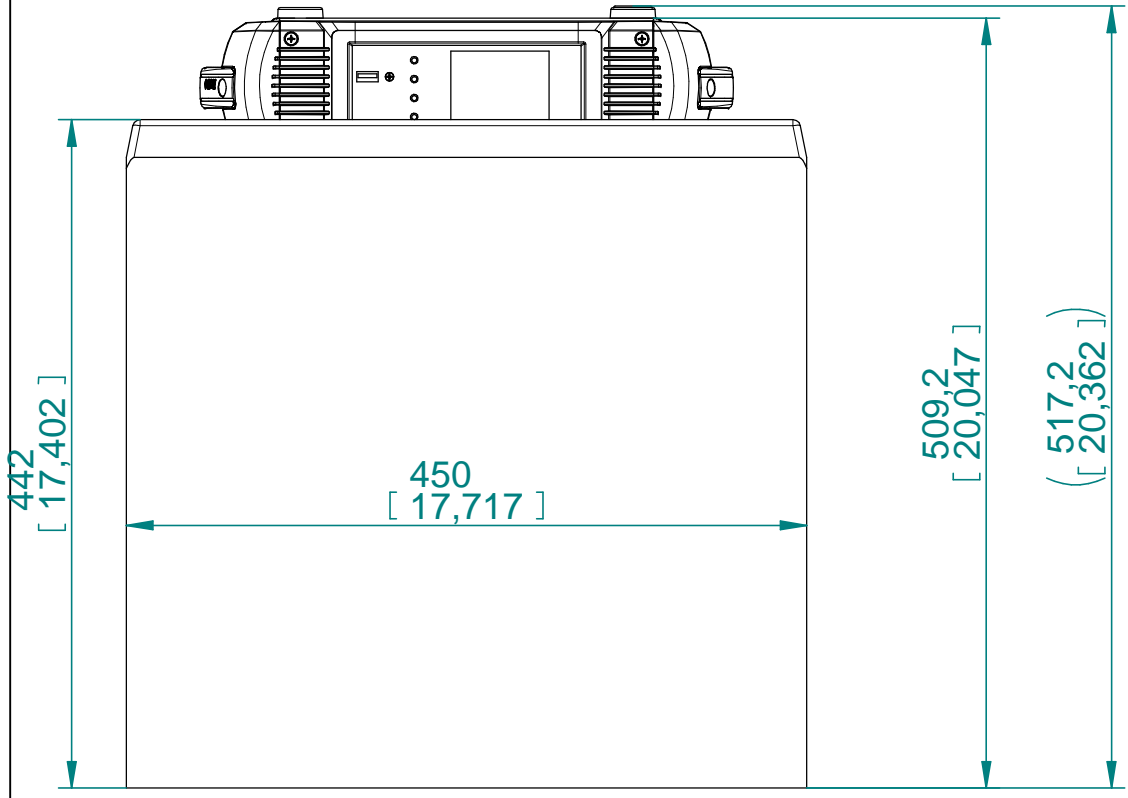
Basic Part: * Date: **23.09.2016** Sheet / Sheets: **1 / 2**

Material: Surface finish: Size: Drawing Nr.:

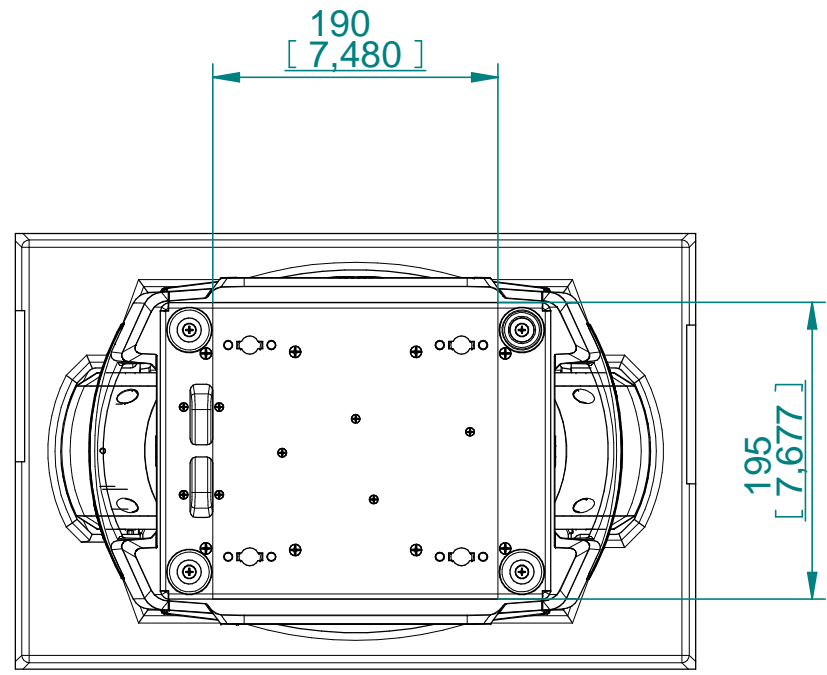
Title: **Foam Shell Spiider** **A3 20020290**

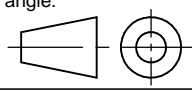
Projection angle:

UNLESS OTHERWISE SPECIFIED
DIMENSIONS ARE IN MILLIMETERS
[INCHES]
ANGLES ±X.X° 2 PL ±X.XX



SECTION B-B




Projection angle:

 UNLESS OTHERWISE SPECIFIED
 DIMENSIONS ARE IN MILLIMETERS
 [INCHES]
 ANGLES ±X.X° 2 PL ±X.XX

Unprescribed shape and dimensions acc. to 3D in tol. +-0,05.General tolerances acc. to ISO 2768mK.The external shape without overflows.

Must be in accordance with directive 2002/95/EC (RoHS)

The drawing is the property of ROBE lighting s r.o., Czech Republic and must not be transferred, lent or reproduced without an explicit written permission from the company.

Device name: Robin Spiider				Drawn: Ing. Rostislav HÁBA		
Revision Nr.	Date	Approved	Revision Nr.	Date	Approved	
01	*	*	06	*	*	Weight: Error: No reference Surface: Error: No reference Volume: Error: No reference
02	*	*	07	*	*	
03	*	*	08	*	*	
04	*	*	09	*	*	
05	*	*	10	*	*	
Basic Part: *			Date: 23.09.2016			Sheet / Sheets: 2 / 2
Material:			Surface finish:			Size: A3
Title: Foam Shell Spiider			Drawing Nr.: 20020290			